

MWPS-72046

36' Frame Utility Building

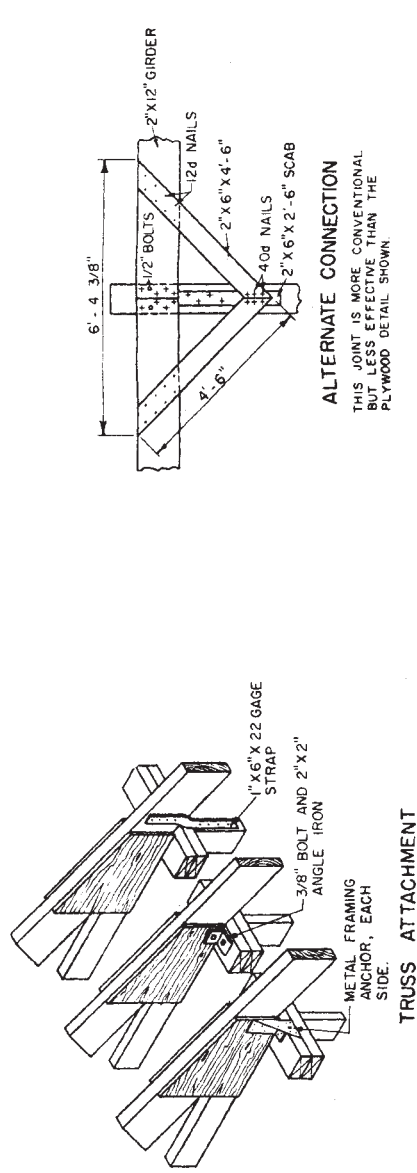
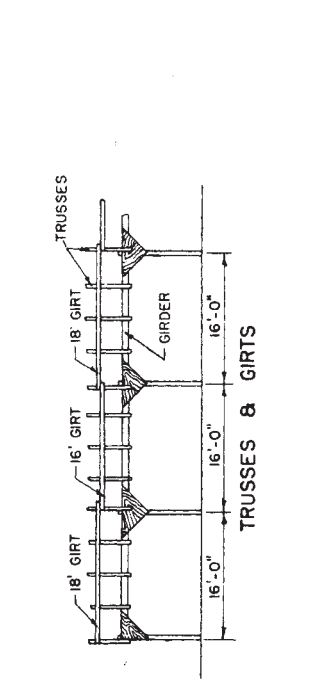
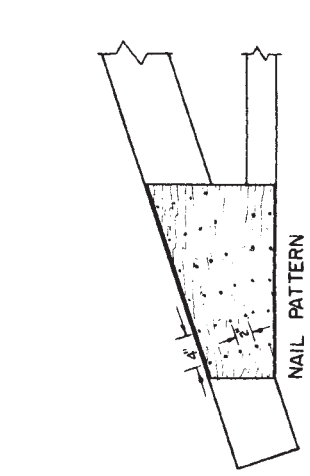
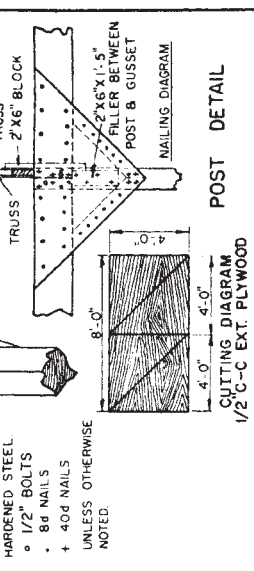
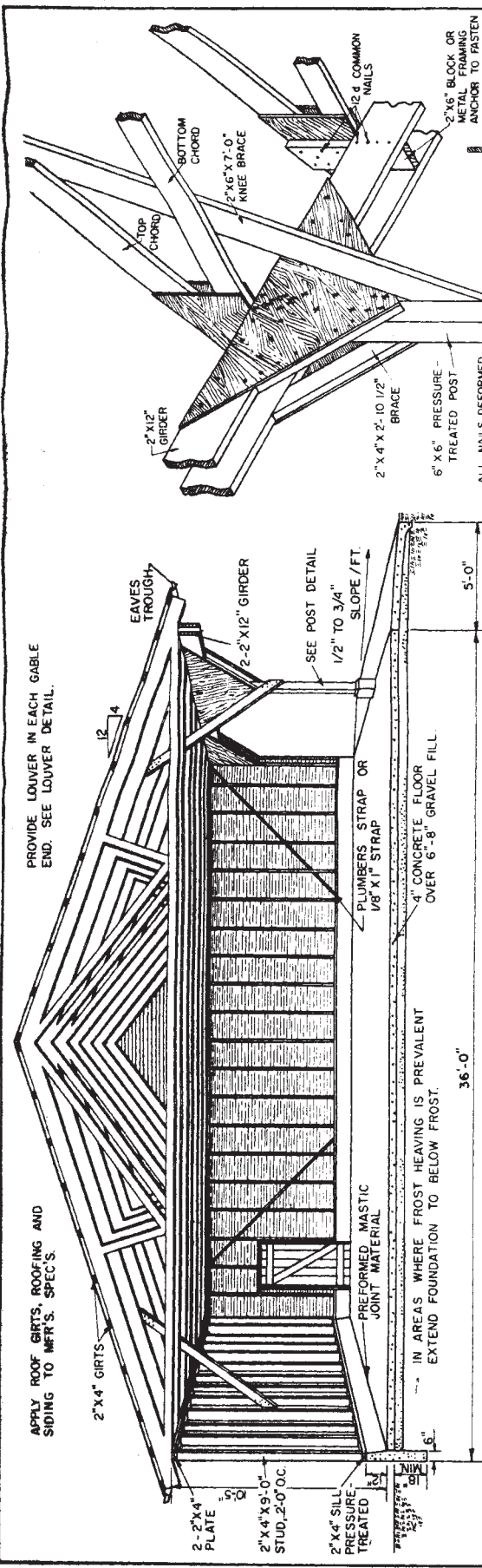
CAUTION!

Additional professional services will be required to tailor this plan to your situation, including but not limited to: assurance of compliance with codes and regulations; review of specifications for materials and equipment; supervision of site selection, bid letting and construction; and provision for utilities, waste management, roads or other access. **Furthermore, any deviation from the given specifications may result in structural failure, property damage, and personal injury including loss of life.**

WARRANTY DISCLAIMER

This plan provides conceptual information only. **Neither midwest plan service nor any of the cooperating land-grant universities, or their respective agents or employees, have made, and do not hereby make, any representation, warranty or covenant with respect to the specifications in this plan.** Additional professional services will be required to tailor this plan to your situation, including but not limited to: assurance of compliance with codes and regulations; review of specifications for materials and equipment; supervision of site selection, bid letting and construction; and provision for utilities, waste management, roads or other access.

MIDWEST PLAN SERVICE
Cooperative Extension Work in Agriculture and Home Economics and Agricultural Experiment Stations of North Central Region - USDA Cooperating
36' Frame Utility Building
Title Page
MIDWEST PLAN NO. 72046



MIDWEST PLAN SERVICE
 Cooperative Extension Work in
 Agriculture and Home Economics
 at the Agricultural Experiment Stations
 of the North Central Region - USDA Cooperating

**36' FRAME
 UTILITY BUILDING**

Sheet 2 of 4 Sheets
 MIDWEST PLAN NO. 72046

Copyright © 1964 Midwest Plan Service