

# MWPS-72352

## Dairy Barn-62 Free Stalls

Mechanical Waste Scraper.

### **CAUTION!**

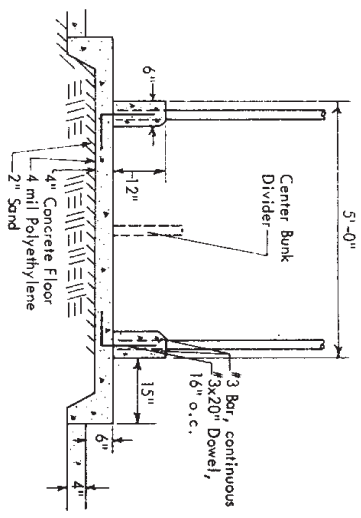
Additional professional services will be required to tailor this plan to your situation, including but not limited to: assurance of compliance with codes and regulations; review of specifications for materials and equipment; supervision of site selection, bid letting and construction; and provision for utilities, waste management, roads or other access. **Furthermore, any deviation from the given specifications may result in structural failure, property damage, and personal injury including loss of life.**

### **WARRANTY DISCLAIMER**

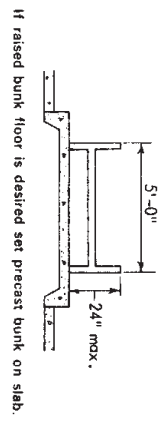
This plan provides conceptual information only. **Neither midwest plan service nor any of the cooperating land-grant universities, or their respective agents or employees, have made, and do not hereby make, any representation, warranty or covenant with respect to the specifications in this plan.** Additional professional services will be required to tailor this plan to your situation, including but not limited to: assurance of compliance with codes and regulations; review of specifications for materials and equipment; supervision of site selection, bid letting and construction; and provision for utilities, waste management, roads or other access.

<b>MIDWEST PLAN SERVICE</b>
Cooperative Extension Work in Agriculture and Home Economics and Agricultural Experiment Stations of North Central Region - USDA Cooperating
Dairy Barn-62 Free Stalls
Title Page
MIDWEST PLAN NO. 72352

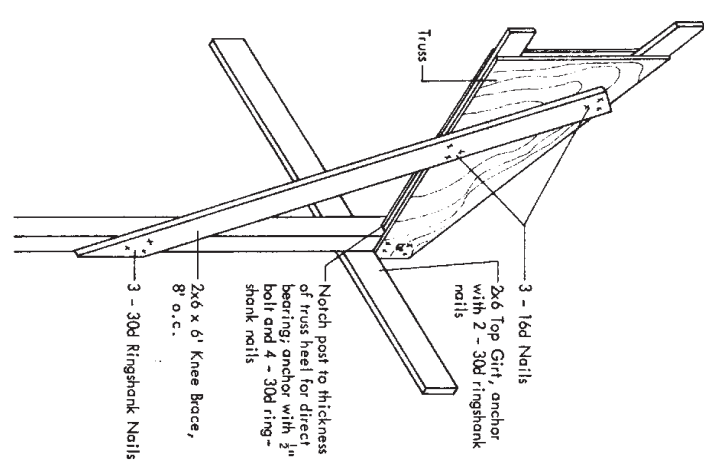




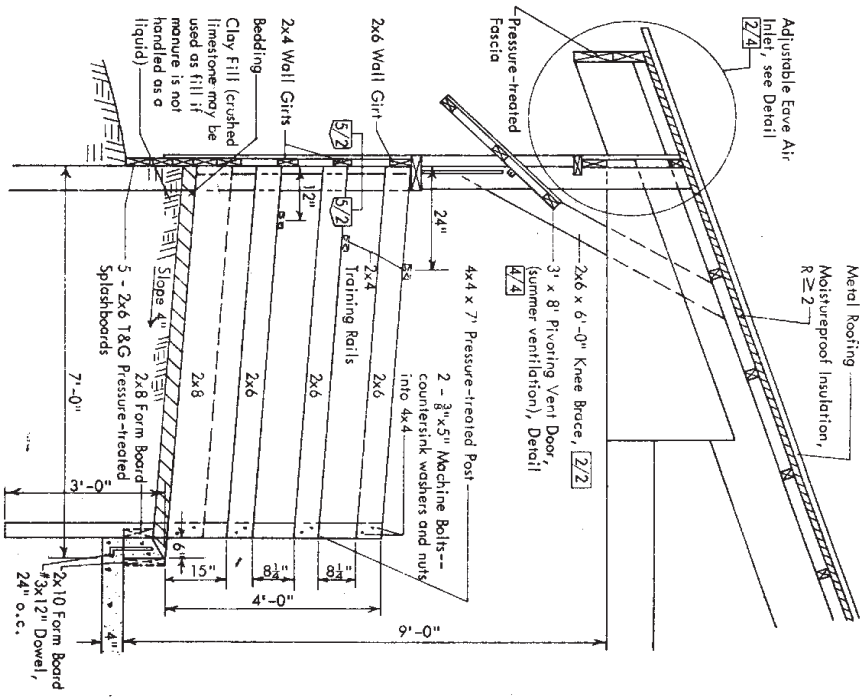
**FEEDBUNK CROSS-SECTION 1/2**  
 Install center bunk divider if herd is divided and fed different rations.



If raised bunk floor is desired set precast bunk on slab.



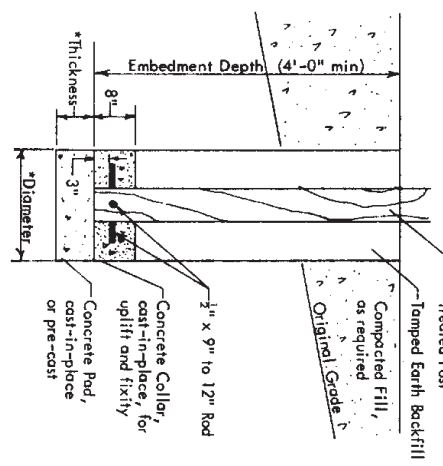
**KNEE BRACE DETAIL 2/2**



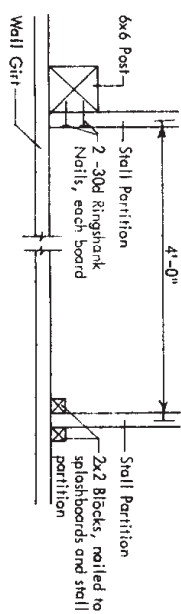
**FREE STALL DETAIL 4/2**

Install 2x4 training rails if cows turn around in stalls or deposit manure at back of stall - 3 rails will force the cow to move back as it gets up so its shoulders can't get caught under the top rail. Install 2x8 bottom stall partition board if cows move fill and bedding from stall to stall causing deep holes in stalls.

If cows have access to outside of building, use wood siding (treated plywood or splashboards) on bottom 4 feet of wall.



**POST FOOTING DETAIL 3/2**



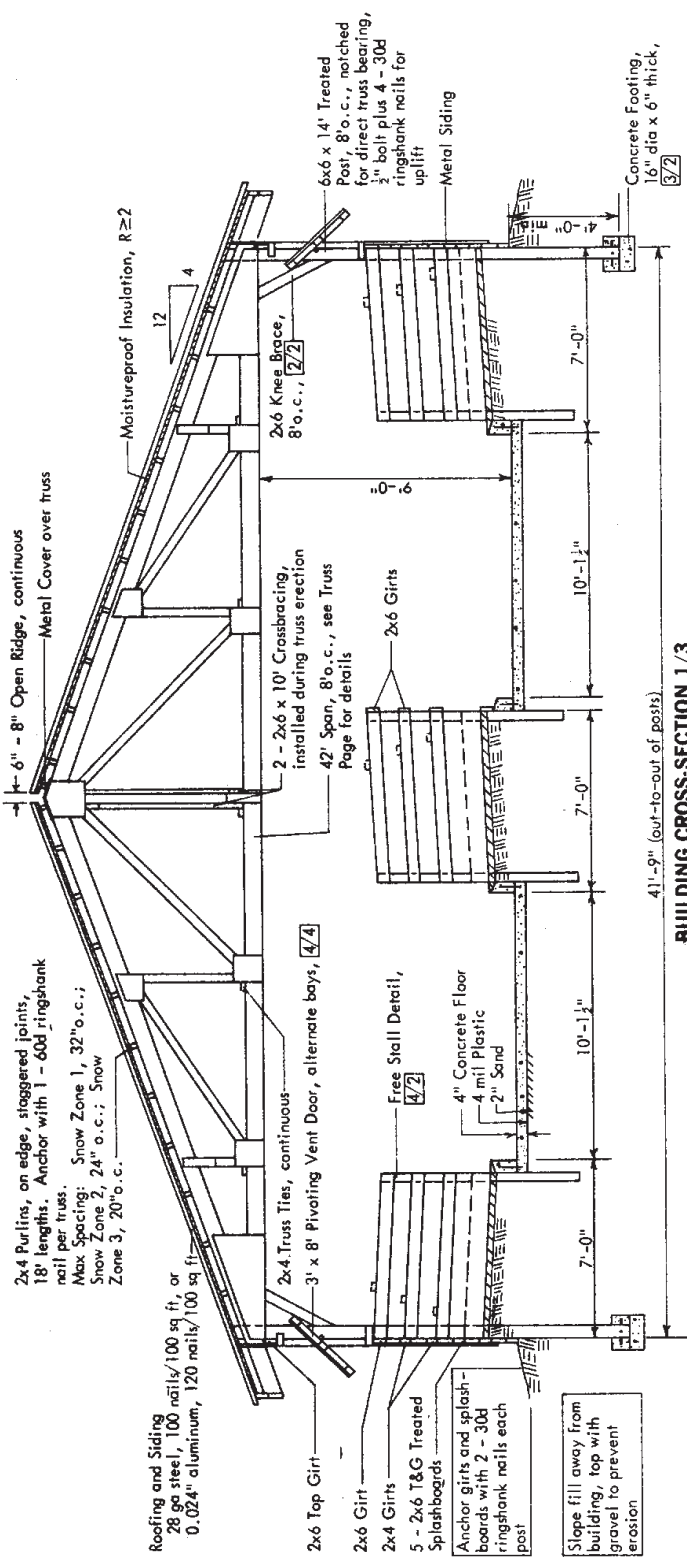
**WALL CONNECTION 5/2**

**MIDWEST PLAN SERVICE**

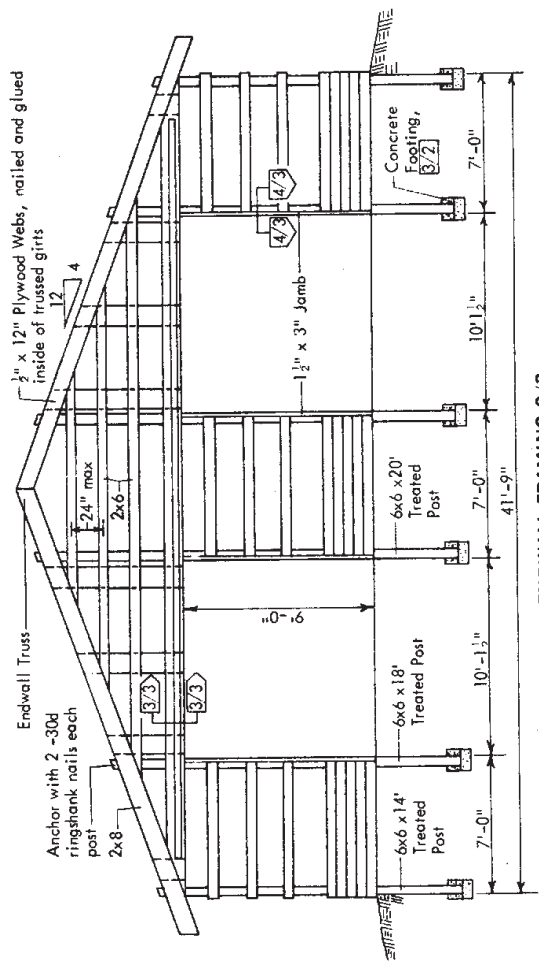
Cooperative Extension Work in Agriculture and Home Economics and Agricultural Experiment Stations of North Central Region - USDA Cooperating

**DAIRY BARN - 62 FREE STALLS**  
 Mechanical Waste Scraper

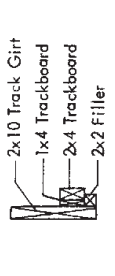
Page 2 of 6 Pages  
 MIDWEST PLAN NO. 72352



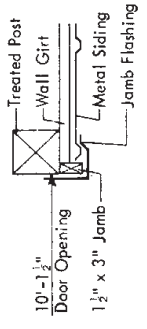
**BUILDING CROSS-SECTION 1/3**  
41'-9" (out-to-out of posts)



**ENDWALL FRAMING 2/3**  
41'-9"

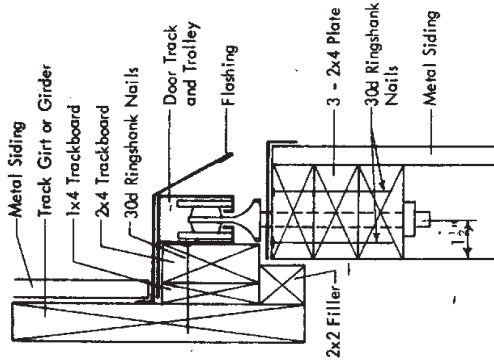


**TRACK GIRTS SECTION 3/3**

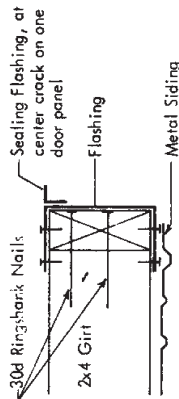


**JAMB SECTION 4/3**



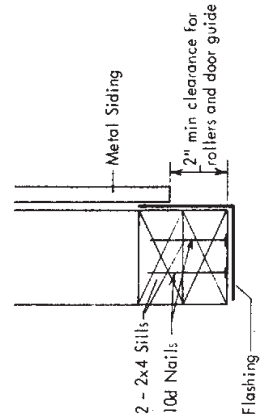


**DOOR TRACK ASSEMBLY 1/5**

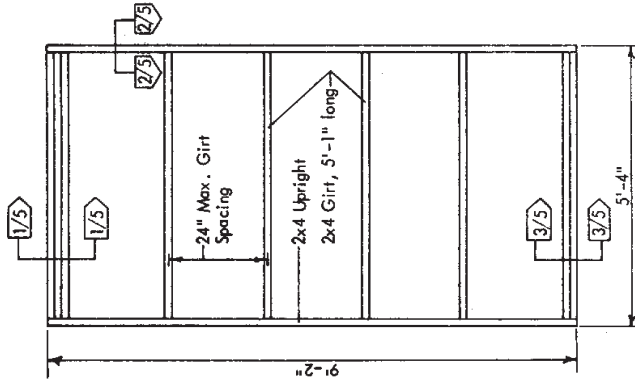


**UPRIGHT SECTION 2/5**

Extend flashing around uprights and nail to girts and uprights.

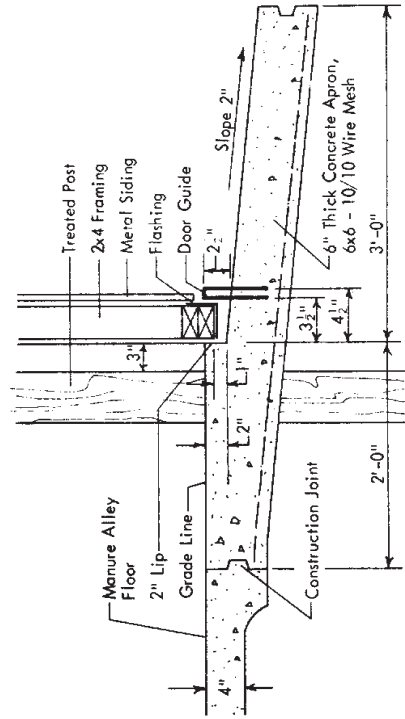


**SILL SECTION 3/5**



**DOUBLE SLIDING DOOR 4/5**

2x4 Framing



**SLIDING DOOR APRON 5/5**

Set adjustable roller guides in the concrete apron at door jamb. Use door stops as required.



**"U"-Shaped Door Guide**

Locate  $\frac{3}{4}$ " dia x 20" "U"-shaped door guide at center of door opening. Break at center to force closing door against apron lip. Taper from 4 $\frac{1}{2}$ " end to 3 $\frac{1}{2}$ " center clearance.

**MIDWEST PLAN SERVICE**

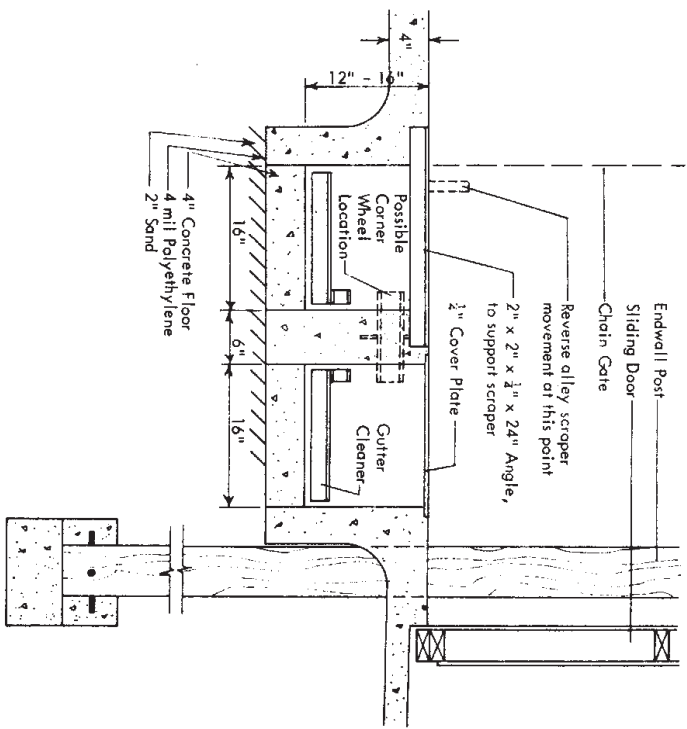
Cooperative Extension Work in Agriculture and Home Economics and Agricultural Experiment Stations of North Central Region - USDA Cooperating

DAIRY BARN - 62 FREE STALLS  
Mechanical Waste Scraper

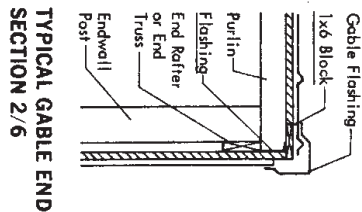
Page 5 of 6 pages

MIDWEST PLAN NO. 72352

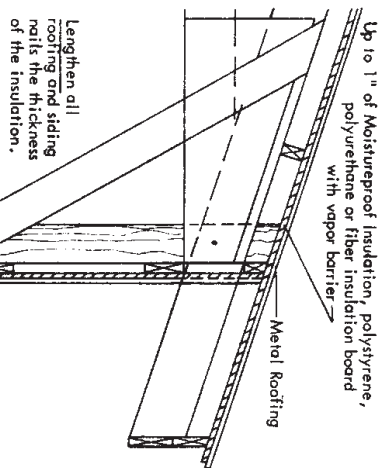
Copyright © 1974 Midwest Plan Service



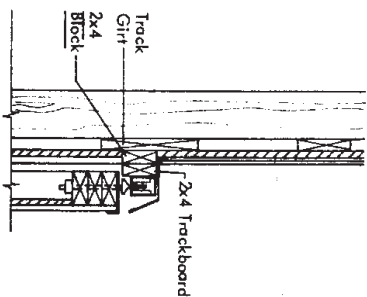
**GUTTER CLEANER CROSS-SECTION 1/6**  
**IMPORTANT:** Use a flexible gate and reverse alley scraper movement at near edge of gutter to prevent possible cow injury.



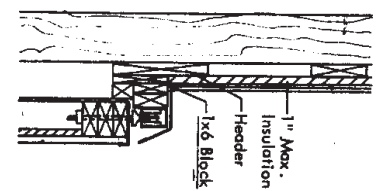
**TYPICAL GABLE END SECTION 2/6**



**TYPICAL WALL SECTION 4/6**



**ENDWALL SECTION 3/6**  
 With Sliding Door



**ENDWALL HEADER SECTION 5/6**

Underlines show materials that change when insulation is added.

**INSULATION DETAILS**

**MIDWEST PLAN SERVICE**

Cooperative Extension Work in  
 Agriculture and Home Economics  
 and Agricultural Experiment Stations  
 of North Central Region - USDA Cooperating

**DAIRY BARN - 62 FREE STALLS**

Mechanical Waste Scraper

Page 6 of 6 Pages

MIDWEST PLAN NO. 72352

Copyright © 1974 Midwest Plan Service