

MWPS-73217

Small Feed Bins

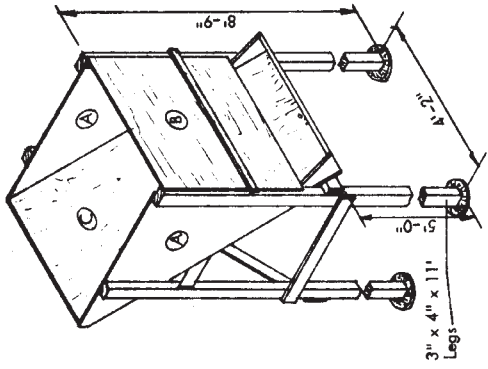
CAUTION!

Additional professional services will be required to tailor this plan to your situation, including but not limited to: assurance of compliance with codes and regulations; review of specifications for materials and equipment; supervision of site selection, bid letting and construction; and provision for utilities, waste management, roads or other access. **Furthermore, any deviation from the given specifications may result in structural failure, property damage, and personal injury including loss of life.**

WARRANTY DISCLAIMER

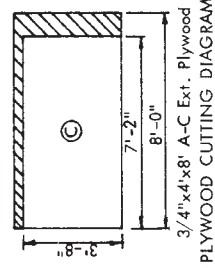
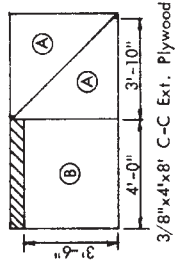
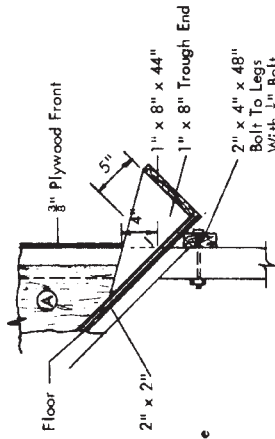
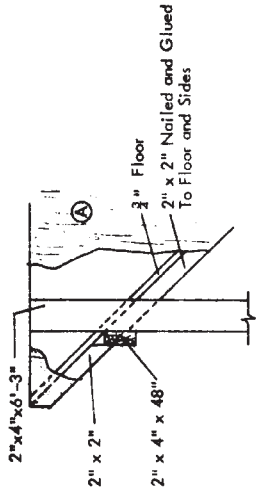
This plan provides conceptual information only. **Neither midwest plan service nor any of the cooperating land-grant universities, or their respective agents or employees, have made, and do not hereby make, any representation, warranty or covenant with respect to the specifications in this plan.** Additional professional services will be required to tailor this plan to your situation, including but not limited to: assurance of compliance with codes and regulations; review of specifications for materials and equipment; supervision of site selection, bid letting and construction; and provision for utilities, waste management, roads or other access.

MIDWEST PLAN SERVICE
Cooperative Extension Work in Agriculture and Home Economics and Agricultural Experiment Stations of North Central Region - USDA Cooperating
Small Feed Bins
Title Page
MIDWEST PLAN NO. 72604

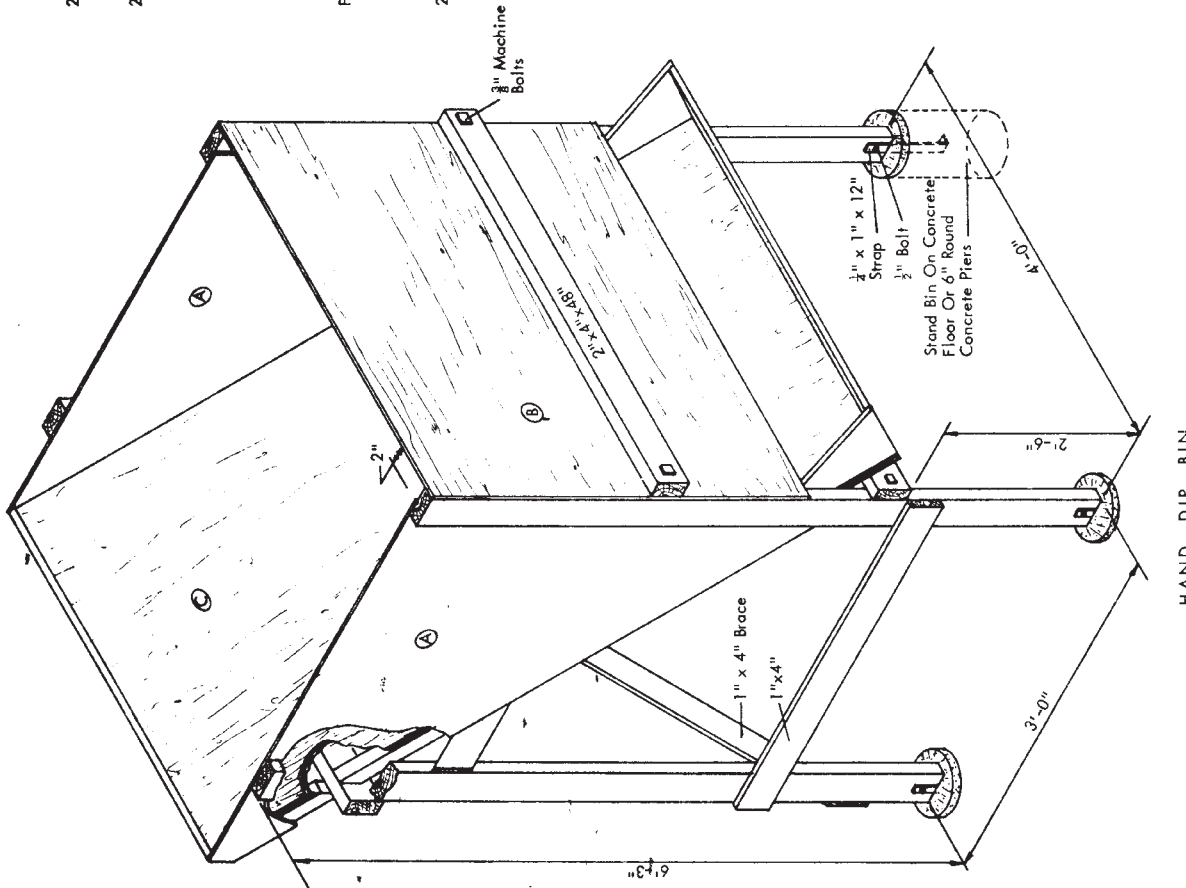


HIGH CLEARANCE BIN
 For Filling Feed Cart Or Weigh Buggy
 See Spout Details, Sheet 2

NOTE:
 For handling seed, line the bins to eliminate cracks. Fasten 30 gage smooth metal with 2d nails.



PLYWOOD CUTTING DIAGRAM



HAND DIP BIN

MIDWEST PLAN SERVICE
Cooperative Extension Work in Agriculture and Home Economics and Agricultural Experiment Stations of North Central Region - USDA Cooperating
SMALL FEED BINS
20 Bur.
Sheet 1 of 4 Sheets
MIDWEST PLAN NO. 73217

Copyright © 1966 Midwest Plan Service

BILL OF MATERIALS FOR 20 BU. BIN

ITEM	DESCRIPTION	NO.
Trough Front & Ends	1"x8"x6'	1
Legs (Short)	2"x4"x18'	2
Legs (Long)	2"x4"x22'	2
Braces	2"x4"x12'	1
Leg Braces	1"x4"x20'	1
Floor Supports	2"x2"x12'	1
Bolts	1"x6" Machine	6
Nails	1"x2 1/2" Machine	4
Plywood	3/4"x8' A-C Ext.	1
Glue	3/4"x8' C-C Ext.	1
	As Needed	

BILL OF MATERIALS FOR 45 BU. BIN

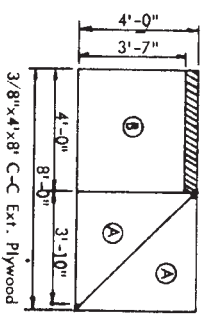
ITEM	DESCRIPTION	NO.
Trough Front & Ends	1"x8"x6'	1
Legs (Short)	2"x4"x14'	4
Legs (Long)	2"x4"x16'	4
Leg Braces	1"x4"x22'	1
Braces	2"x4"x20'	1
Floor Supports	2"x2"x12'	1
Bolts	3"x6" Machine	2
Nails	1"x2 1/2" Machine	2
Plywood	3/4"x8' C-C Ext.	1
Ties	1"x4"x8' A-C Ext.	1
Nails	1"x7" Machine	3
Glue	1/2" Wire, 14' Long	1
	As Needed	

BILL OF MATERIALS FOR 170 BU. BIN

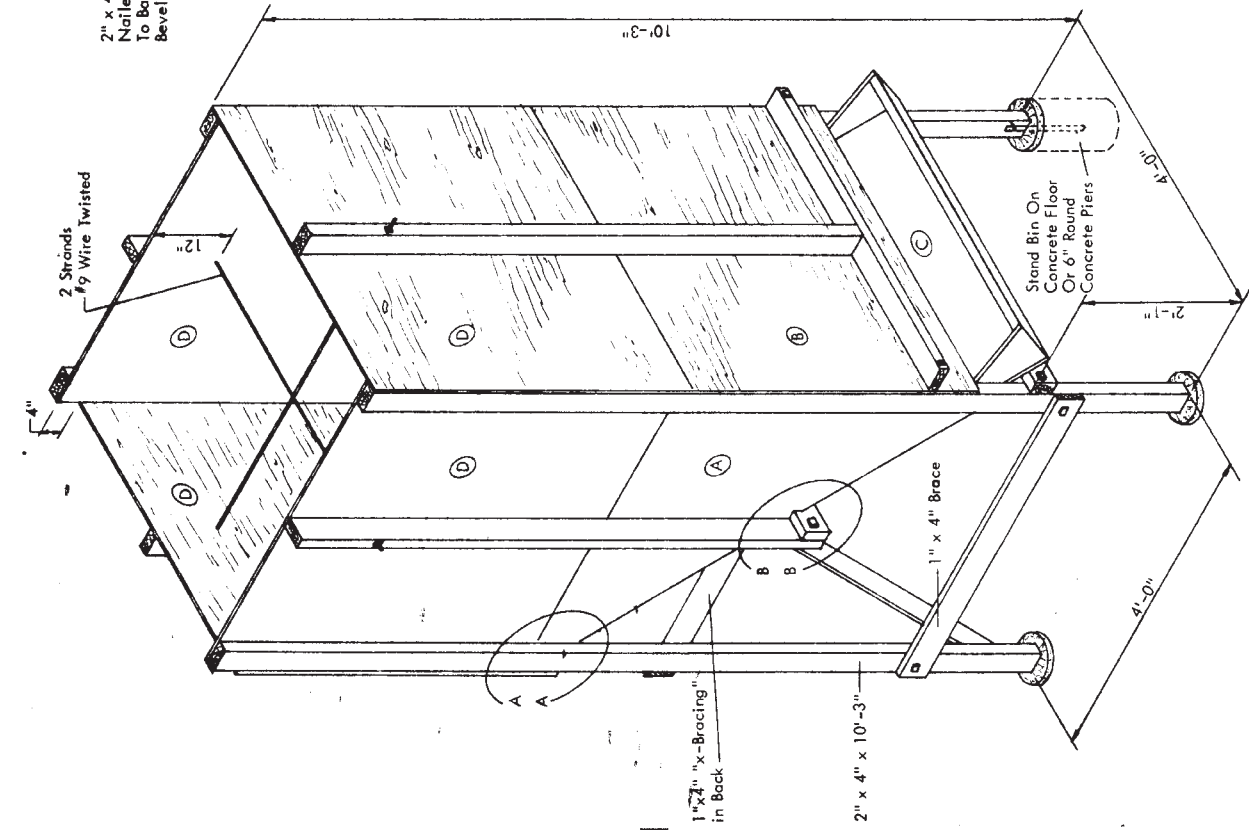
ITEM	DESCRIPTION	NO.
Wall Studs	2"x4"x18'	7
Partition Studs	2"x4"x12'	8
Ties And Plates	2"x4"x16'	3
Wales	2"x6"x16'	1
Plywood	3/4"x8' A-C	3
The Rods	3/4"x8' C-C	7
Bolts	1" Rod--15' Long	1
Nails	1"x4"	7
Glue	As Needed	

BILL OF MATERIALS FOR 340 BU. BIN

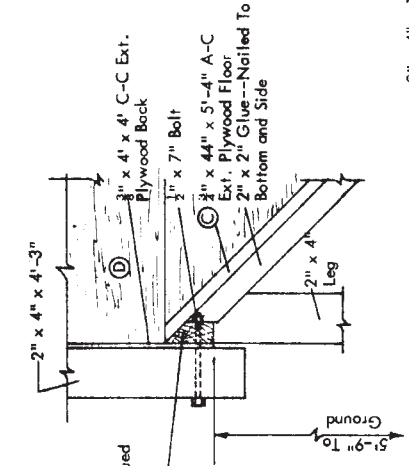
ITEM	DESCRIPTION	NO.
Studs	2"x4"x12'	25
Floor Joists	2"x4"x18'	2
Joint Supports	2"x10"x18'	2
Braces	2"x4"x6'	1
Wales	2"x4"x20'	2
The Rod	2"x4"x7'	1
Plates	2"x6"x16'	1
Tough Front	3" Rod, 24' Long	1
Filler Plywood (Walls)	2"x4"x12'	1
Filler Plywood (Floor)	2"x4"x8'	1
Bolts	1"x6"x8'	1
Nails	1"x4"x8' C-C Ext.	11
Glue	1"x4"x8' A-C Ext.	2
	1"x6"	15
	As Needed	6



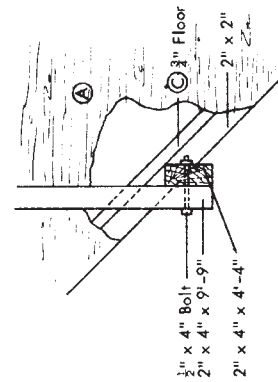
PLYWOOD CUTTING DIAGRAM
 3/8"x48"x48" Sides, C-C Ext. Plywood
 3/4"x44"x64" Floor, A-C Ext. Plywood
 3/8"x48"x48" Sides, C-C Ext. Plywood
 4 pieces



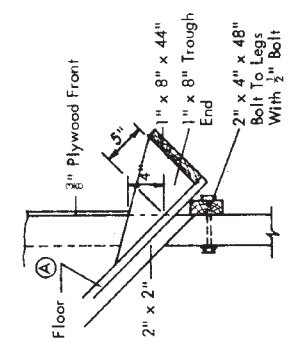
HAND DIP BIN



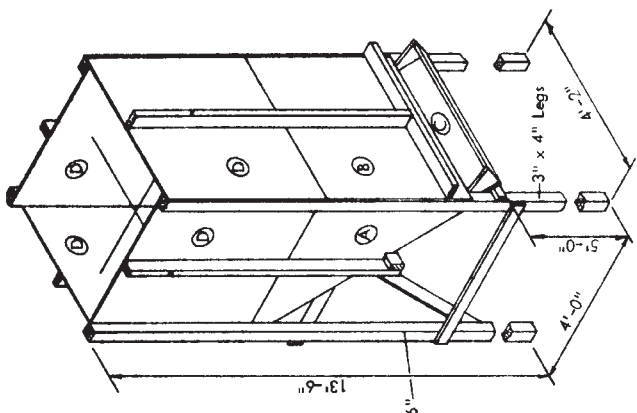
BACK SUPPORT
A-A



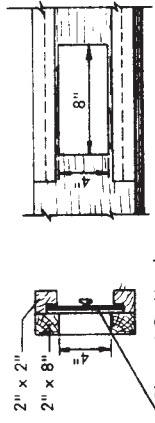
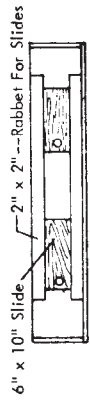
CENTER SUPPORT
B-B



SPOUT FOR HIGH CLEARANCE BIN



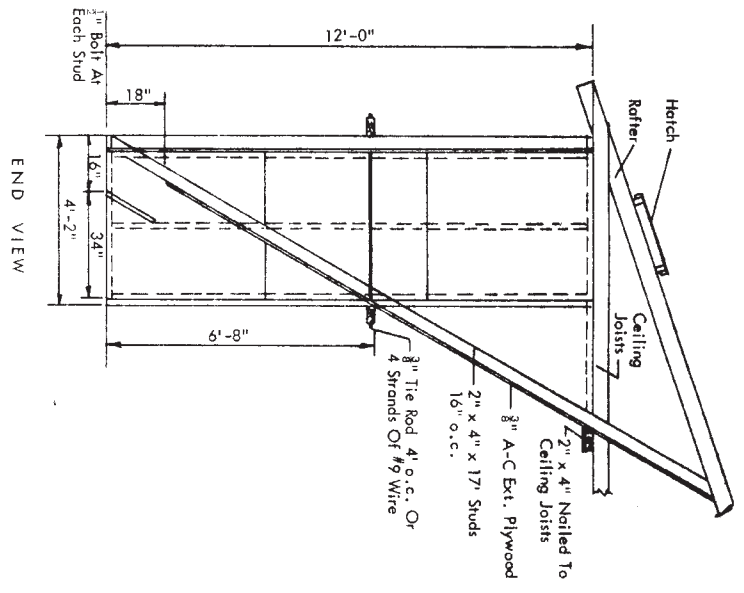
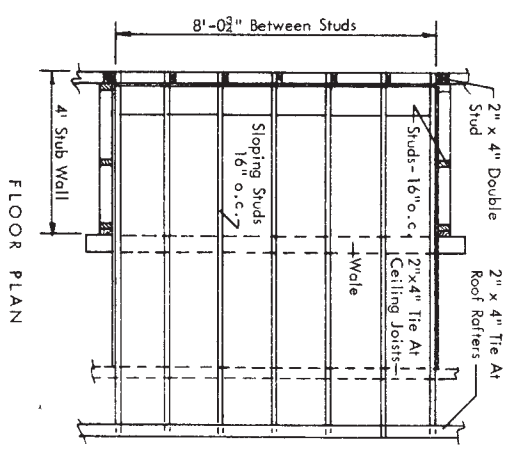
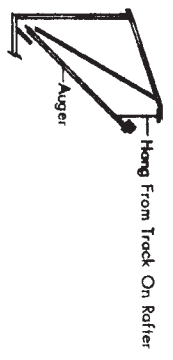
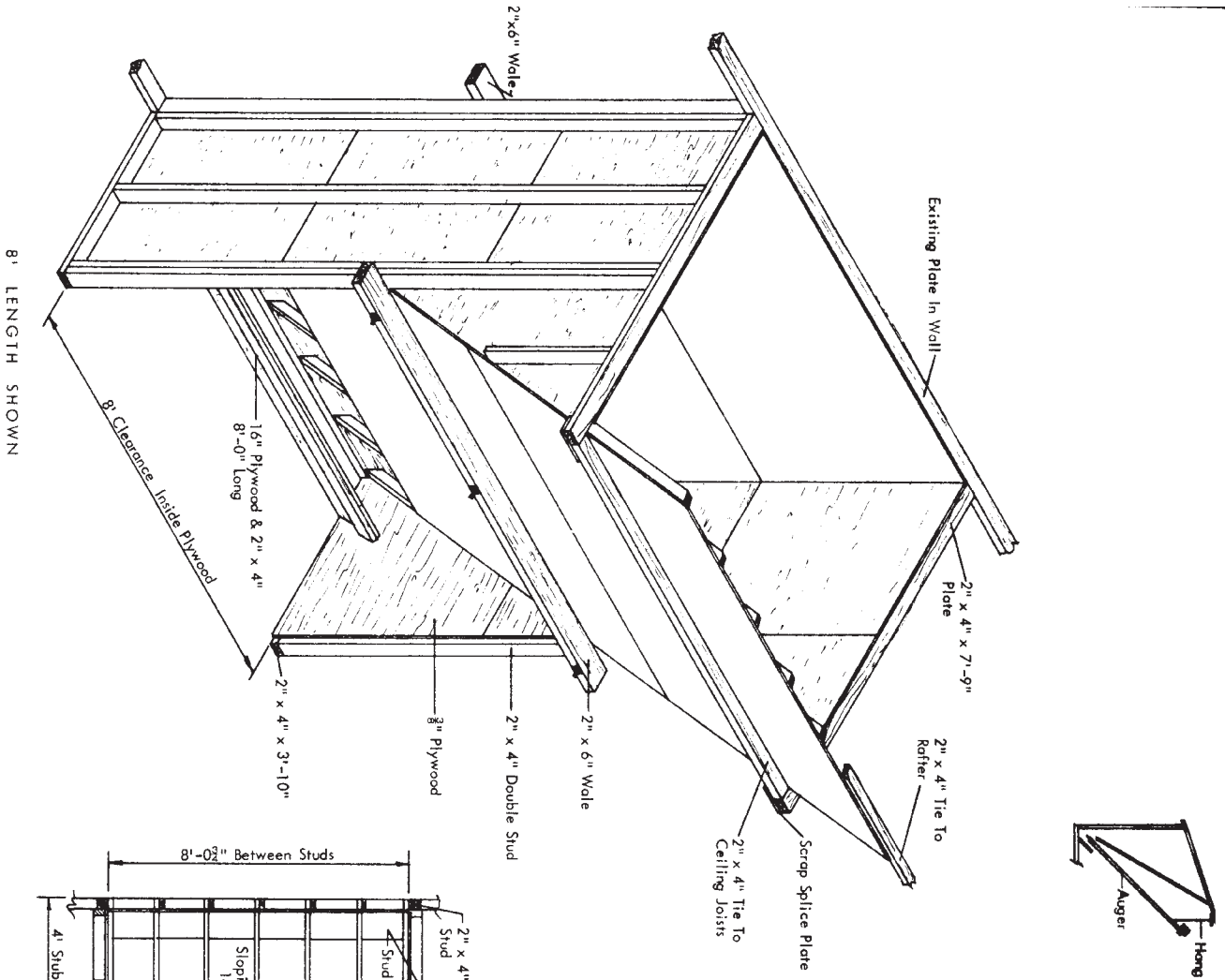
HIGH CLEARANCE BIN
For Filling Feed Cart Or Weigh Buggy



MIDWEST PLAN SERVICE
Cooperative Extension Work in
Agriculture and Home Economics
and Agricultural Experiment Stations
of North Central Region - USDA Cooperating

SMALL FEED BINS
45 Bu.

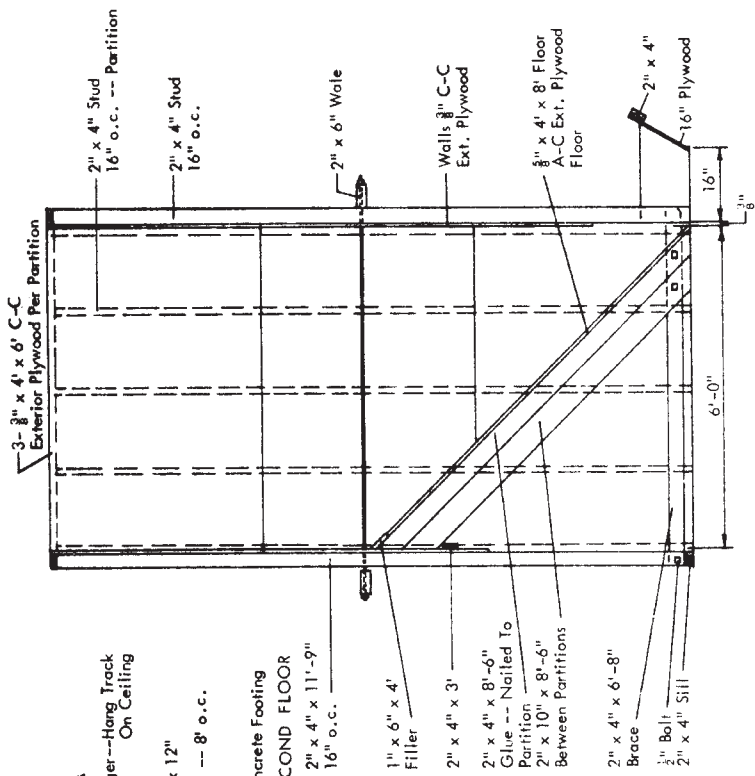
MIDWEST PLAN NO. 73217
Sheet 2 of 4 Sheets
Copyright © 1956 Midway Plan Service



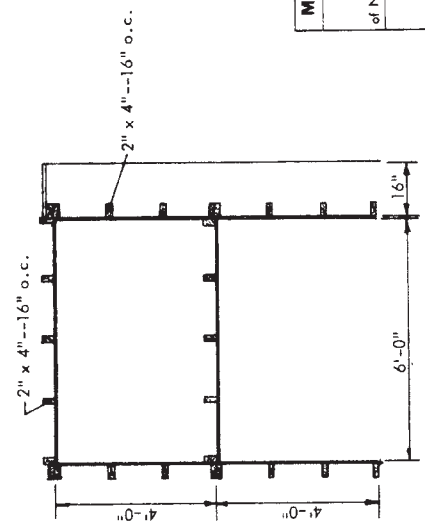
MIDWEST PLAN SERVICE
 Cooperative Extension Work in
 Agriculture and Home Economics
 and Agricultural Experiment Stations
 of North Central Region - USDA Cooperating

SMALL FEED BINS
 170 Bu.

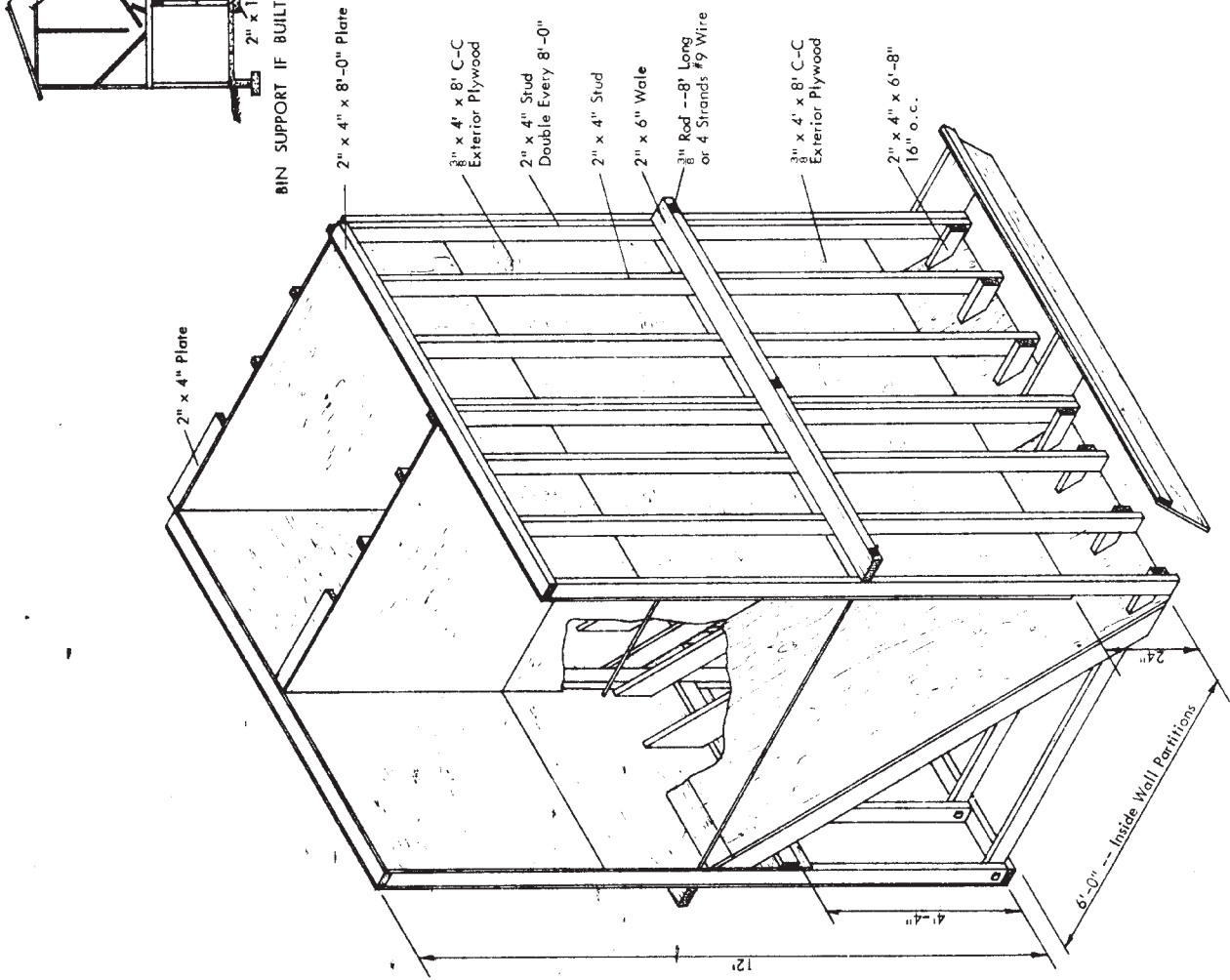
Sheet 3 of 4 Sheets
MIDWEST PLAN NO. 73217
 Copyright © 1966 Midwest Plan Service



END VIEW



FLOOR PLAN



BIN SUPPORT IF BUILT ON SECOND FLOOR

MIDWEST PLAN SERVICE
 Cooperative Extension Work in
 Agriculture and Home Economics
 and Agricultural Experiment Stations
 of North Central Region - USDA Cooperating

SMALL FEED BINS
 340 Bu.

Sheet 4 of 4 Sheets

MIDWEST PLAN NO. 73217

Copyright © 1966 Midwest Plan Service